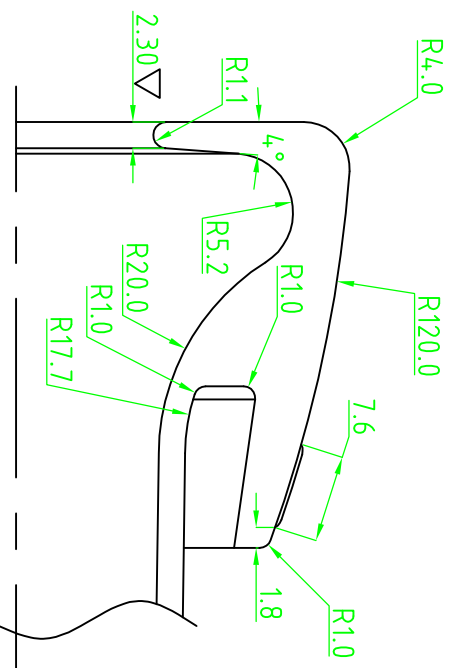
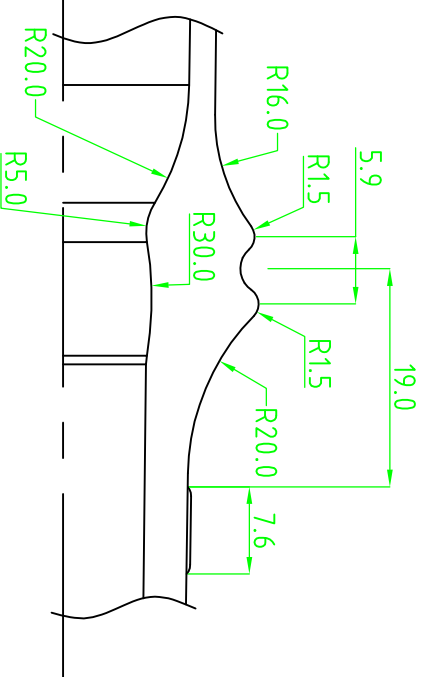


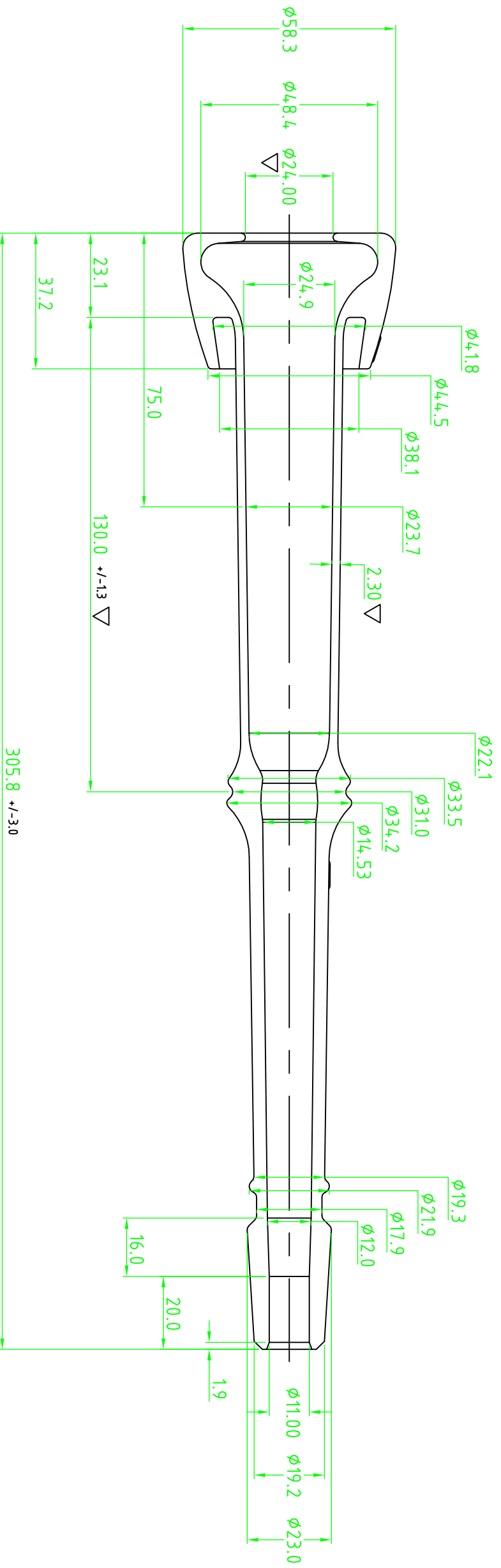
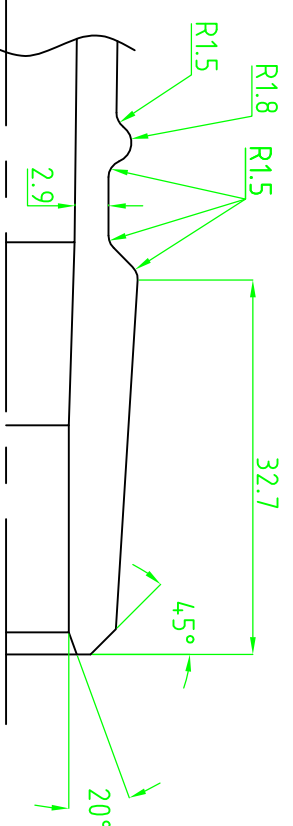
HOODCUP
DETAIL 2:1



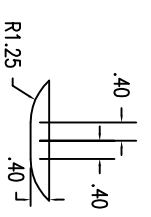
LOCK RING
DETAIL 2:1



MILK TUBE
DETAIL 2:1

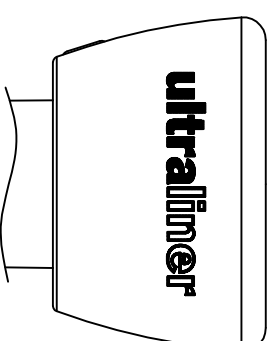
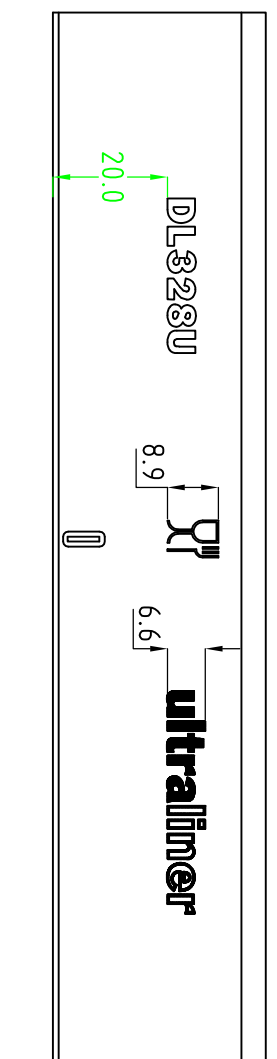
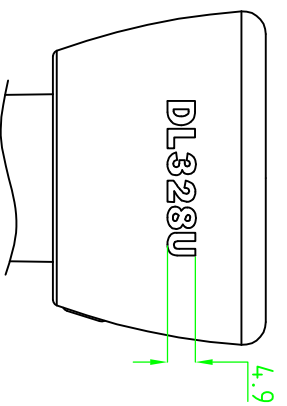


ALIGNMENT MARK DETAIL END VIEW
SCALE 8:1



▽ Denotes 30 piece capability
study required with ISIR

TOLERANCES TO BS3734:1997
ISO 3302-1996, CLASS M3
UNLESS OTHERWISE STATED



ITEM No.	PARTNO. No.	DESCRIPTION	SPECIFICATION	MFG. QTY.

SCALE	1:1	TITLE	DL328U	PROJECT No.	3523	DRAWING No.	001	CLASSIFICATION	MA	SHEET No.	1 OF 1	ESSE STATUS	A	FOR COMMENTS FOR APPROVAL FOR MANUFACTURE
DIMENSIONS IN MM	DRG.No.	3523	001	PROJECT No.	3523	DRAWING No.	001	CLASSIFICATION	MA	SHEET No.	1 OF 1	ESSE STATUS	A	FOR COMMENTS FOR APPROVAL FOR MANUFACTURE

TOLERANCES UNLESS STATED OTHERWISE	CUSTOMER	DATE	APPROVED	DATE
WHILE : 1 PLACE : 61	MILK-RITE	30/06/09		
2 PLACES : 65				
ANGLES : 65 DEGREES				

MATERIAL	PROJECT	DATE	APPROVED	DATE
20X121				
FINISH				
N/A				

AVON TECHNICAL PRODUCTS	DATE	APPROVED	DATE
HARTON PARK WEST - SHIMON - WELSH			

THIS DRAWING MAY NOT BE REPRODUCED WITHOUT THE WRITTEN CONSENT OF AVON POLYMER PRODUCTS LTD

AVON POLYMER PRODUCTS LTD 2003