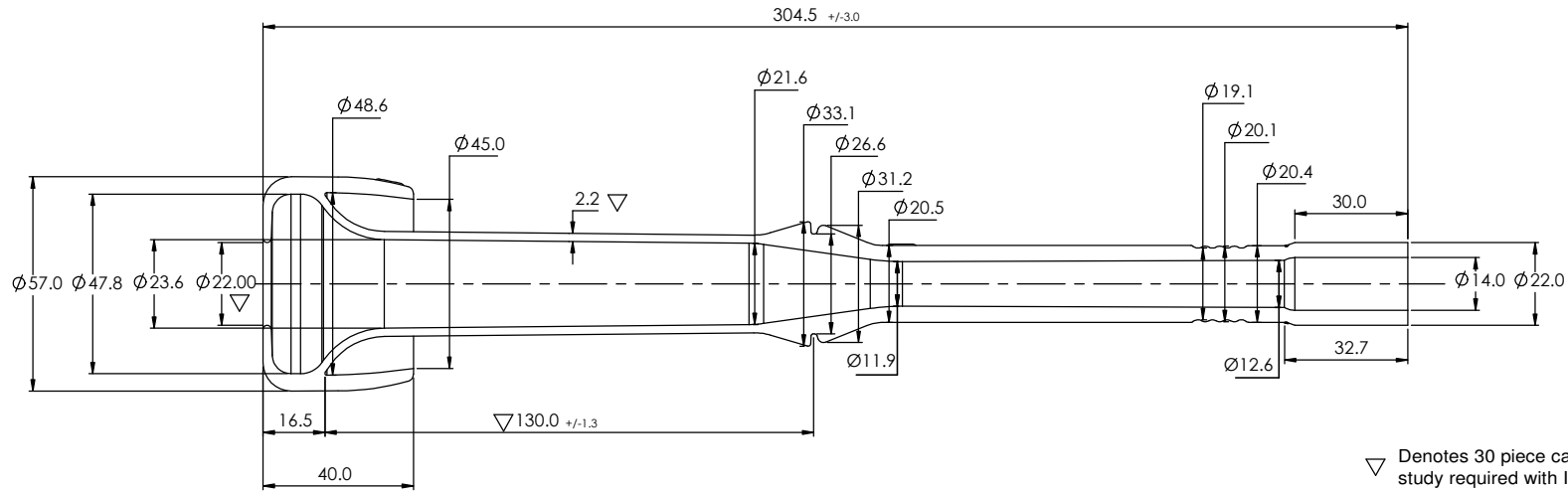
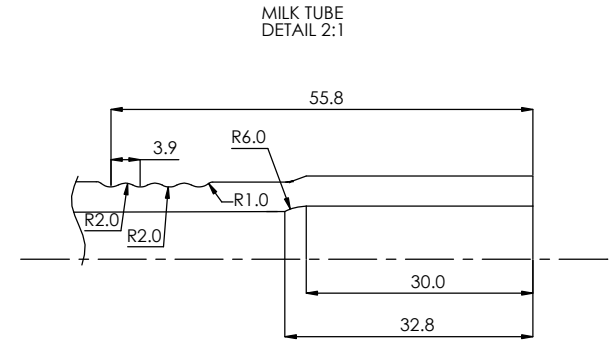
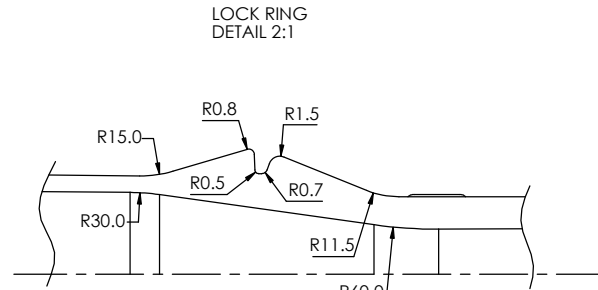
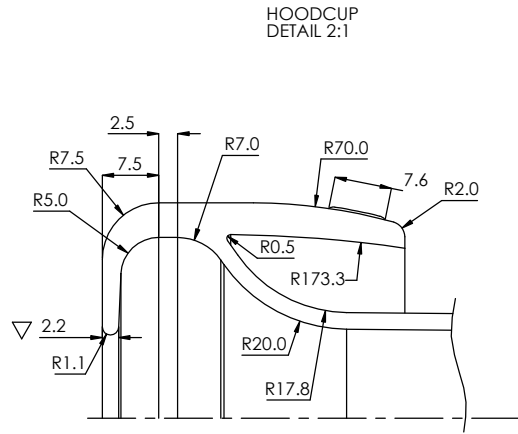


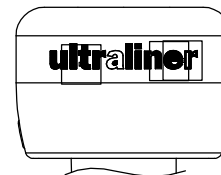
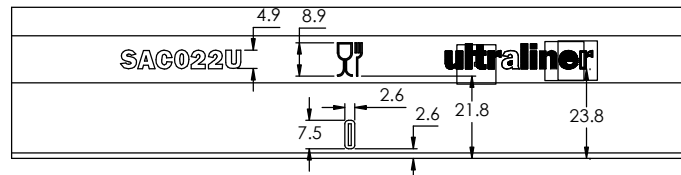
ITEM NO.	PARTING NO.	DESCRIPTION	SPECIFICATION	NO. OF



▽ Denotes 30 piece capability study required with ISIR

TOLERANCES TO BS3734:1997
ISO 3302-1996. CLASS M3
UNLESS OTHERWISE STATED

ISSUE NO.	REVISION	GRID REF.	REQ. BY	APPROVED BY	DATE	SO. NO.



TOLERANCES UNLESS STATED OTHERWISE				CUSTOMER				AVON TECHNICAL PRODUCTS				
HORIZONTAL		VERTICAL		MILK-RITE		HAMPDEN PARK WOOD, BRIMINGHAM, WILTSHIRE		<small>THIS DRAWING MAY NOT BE REPRODUCED WITHOUT THE WRITTEN CONSENT OF AVON POLYMER PRODUCTS LTD</small> 				
1 PLACE ± 0.1	2 PLACES ± 0.05	PROJECT No.		MILK-RITE		HAMPDEN PARK WOOD, BRIMINGHAM, WILTSHIRE		<small>© AVON POLYMER PRODUCTS LTD 2003</small>				
SHRINKAGE	N/A	DATE	CHECKED	DATE	APPROVED	DATE	<small>THE DRAWING MAY NOT BE REPRODUCED WITHOUT THE WRITTEN CONSENT OF AVON POLYMER PRODUCTS LTD</small>					
SCALE	1:1	TITLE	SAC022U									
DRAWING TO BS 308 THIRD ANGLE PROJECTION	DRG.No.	PROJECT No.	3545	DRAWING No.	001	CLASSIFICATION	MA	SHEET No.	1 OF 1	ISSUE STATUS	A	FOR COMMENTS FOR APPROVAL FOR MANUFACTURE